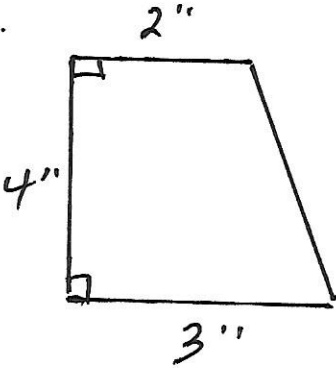


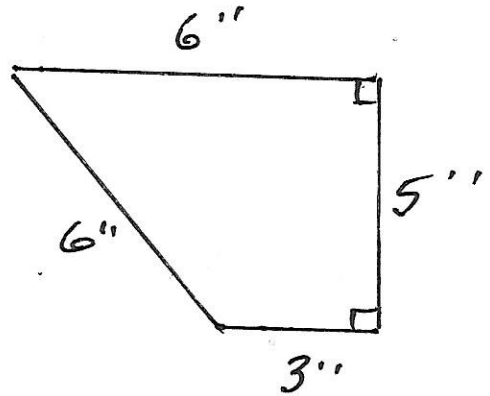
Find the area of each trapezoid

$$A = \frac{(b_1 + b_2)h}{2}$$

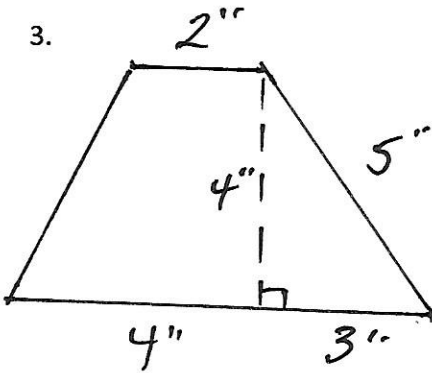
1.



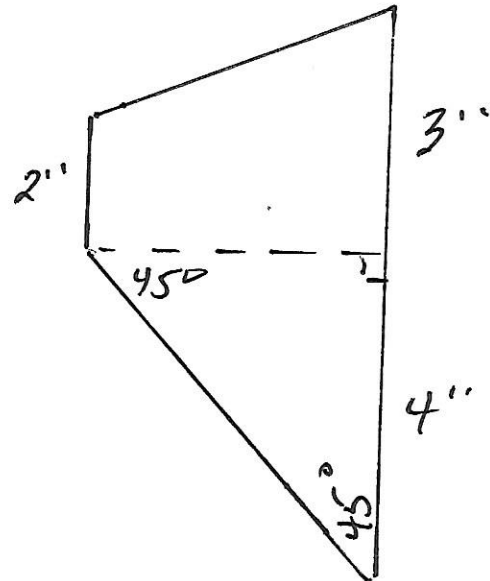
2.



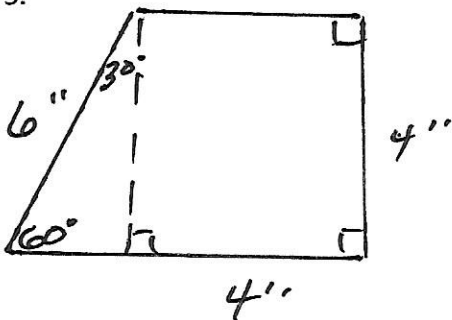
3.



4.



5.



6.

