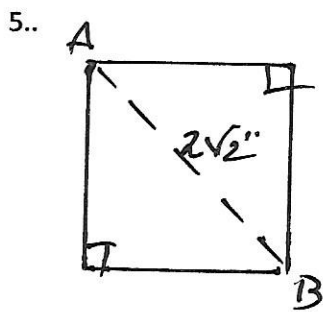
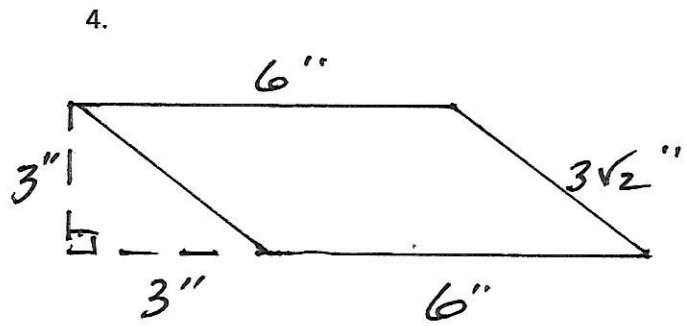
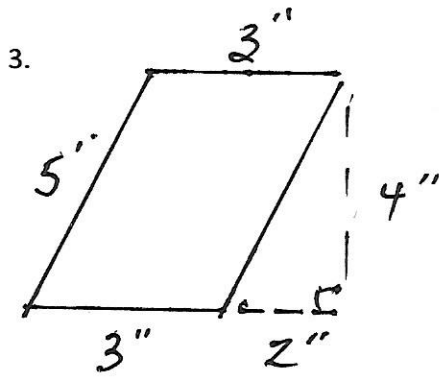
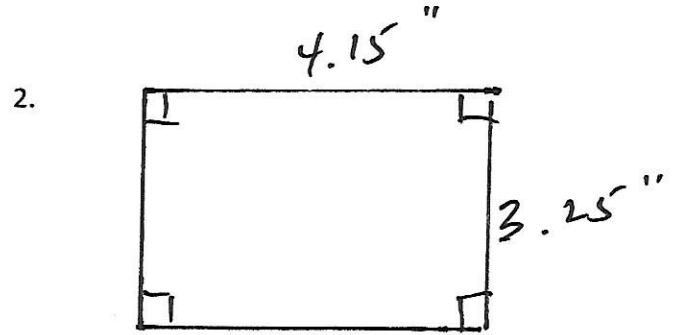
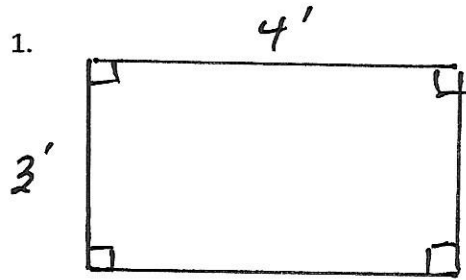


Geometry 10/11

Day 9

Find the area of each quadrilateral $A = bh$



$(AB = 2\sqrt{2}'')$

